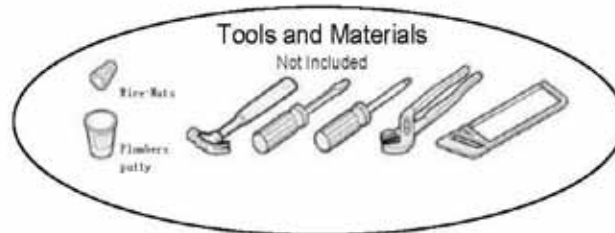
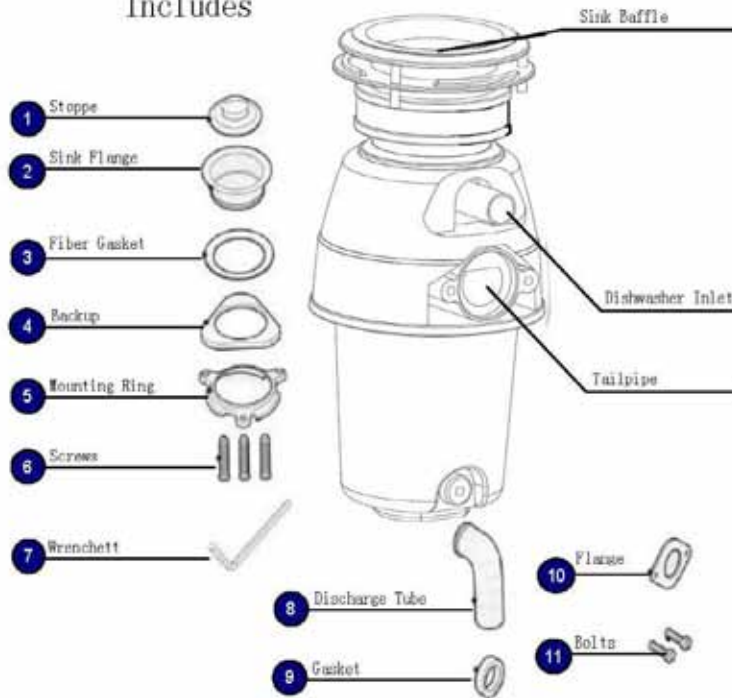




## Includes



## USER-MAINTENANCE INSTRUCTIONS

### CLEANING DISPOSER

Over time, food particles may accumulate in the grind chamber and baffle. An odor from the disposer is usually a sign of food buildup. To clean disposer:

1. Place stopper in sink opening and fill sink halfway with warm water.
2. Mix 1/4 cup baking soda with water. Turn disposer on and remove stopper from sink at same time to wash away loose particles.

Disposers may also be cleaned with Disposer Care®. This product is not sold by InSinkErator®, but is generally available in major home centers, hardware, and grocery stores. For more information on Disposer Care®, contact Summit Brands at 1-888-476-6688 or [www.summitbrands.com](http://www.summitbrands.com).

### RELEASING DISPOSER JAM

If motor stops while disposer is operating, disposer may be jammed. To release jam:

1. Turn off disposer and water.
2. Insert one end of self-service wrenchette into center hole on bottom of disposer (see Figure A). Work wrenchette back and forth until it turns one full revolution. Remove wrenchette.
3. Reach into disposer with tongs and remove object(s). Allow disposer motor to cool for 3 - 5 minutes, then lightly push red reset button on disposer bottom (see Figure B). (If motor remains inoperative, check service panel for tripped circuit breakers or blown fuses.)

Figure A

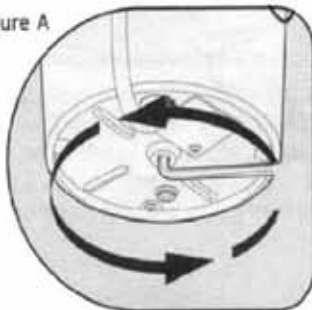
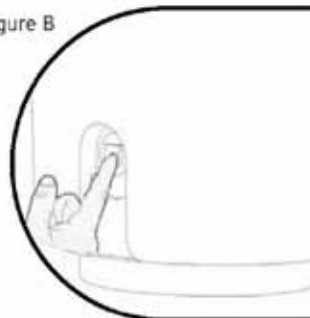
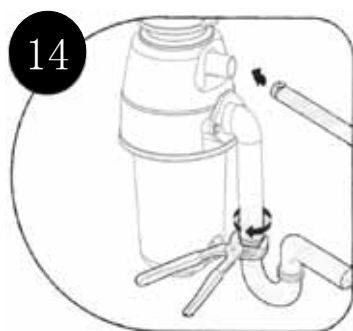
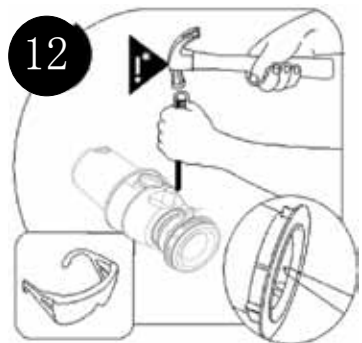
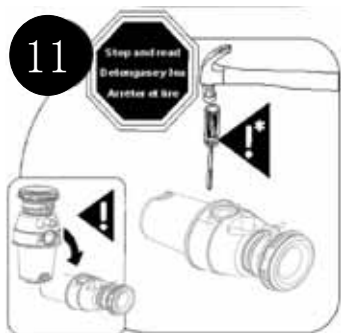
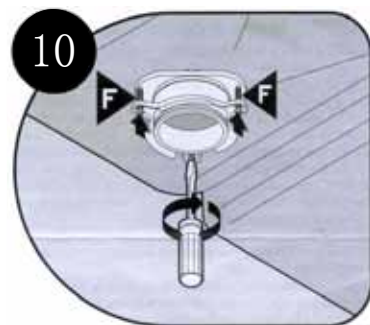
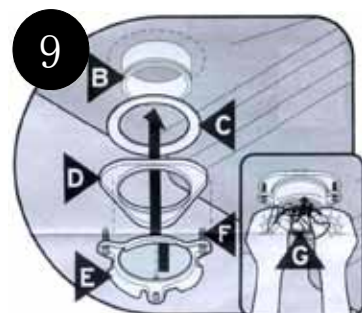
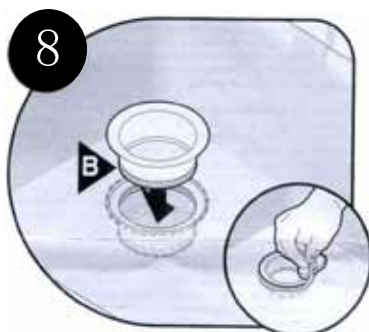
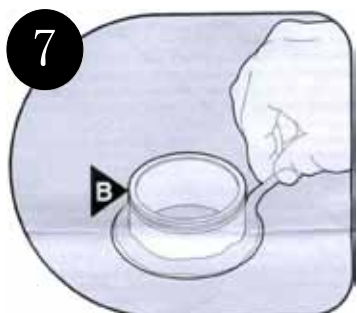
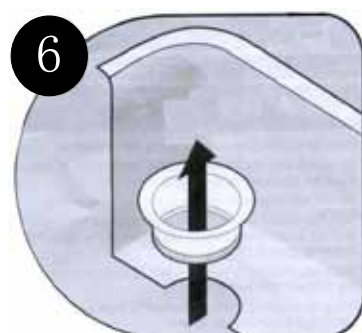
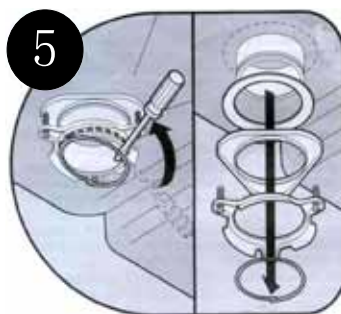
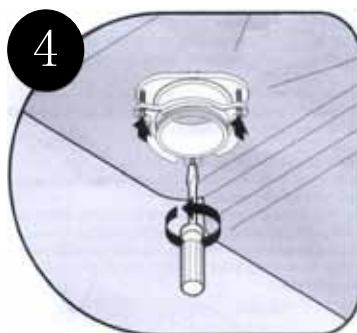


Figure B







# ENGLISH

## INSTRUCTIONS PERTAINING TO RISK OF FIRE, ELECTRIC SHOCK, OR INJURY TO PERSONS

### IMPORTANT SAFETY INSTRUCTIONS

#### **⚠ WARNING**

When using electric appliances, basic precautions are always to be followed, including:

- Read all instructions before using the appliance.
- To reduce the risk of injury, close supervision is required when an appliance is used near children.
- Do not put fingers or hands into a waste disposer.
- Turn the power switch to the off position before attempting to clear a jam, removing an object from the disposer or pressing reset button.
- When attempting to loosen a jam in a waste disposer, use the self-service wrenchette.
- When attempting to remove objects from a waste disposer, use long-handled tongs or pliers.
- Do not put the following into a disposer: clam or oyster shells, caustic drain cleaners or similar products, glass, china, or plastic, metal (such as bottle caps, steel shot, tin cans, or utensils), hot grease or other hot liquids.
- When not operating a disposer, leave the stopper in place to reduce the risk of objects falling into the disposer.
- This product is designed to dispose of normal household food waste; inserting materials other than food waste into disposer could cause personal injury and/or property damage.
- To reduce the risk of injury, do not use the sink containing the disposer for purposes other than food preparation (such as baby bathing or washing hair).
- Do not dispose of the following in the disposer: paints, solvents, household cleaners and chemicals, automotive fluids, plastic wrap.
- **FIRE HAZARD:** Do not store flammable items such as rags, paper or aerosol cans near disposer. Do not store or use gasoline or other flammable vapors and liquids in vicinity of disposer.

### SAVE THESE INSTRUCTIONS

#### **⚠ WARNING**

**Personal Injury:** Do not position your head or body under disposer; unit could fall during removal or installation.

### GROUNDING INSTRUCTIONS

**For all grounded, cord-connected disposers:**

This disposer must be grounded to reduce the risk of electric shock in the event of a malfunction or breakdown. Grounding provides a path of least resistance for electric current. This disposer is equipped with a cord having an equipment-grounding conductor and a grounding plug. The plug must be plugged into an outlet that is properly installed and grounded in accordance with all local codes and ordinances.

**For permanently connected disposers:**

This disposer must be connected to a grounded, metal, permanent wiring system; or an equipment-grounding conductor must be run with the circuit conductors and connected to the equipment-grounding terminal or lead on the disposer.

#### **⚠ CAUTION**

Do not use plumber's putty on any other disposer connection other than sink flange. Do not use thread sealants or pipe dope. These may harm disposer and cause property damage.

#### **⚠ WARNING**

Improper connection of the equipment-grounding conductor can result in a risk of electric shock. Check with a qualified electrician or serviceman if you are in doubt as to whether the disposer is properly grounded. If the plug provided with the disposer does not fit the outlet, do not modify the plug or attempt to force the plug into the outlet - have a proper outlet installed by a qualified electrician.

- This disposer must be properly grounded.
- Do not attach ground wire to gas supply line.
- Disconnect power before installing or servicing disposer.
- If three-prong grounded plug is used, plug must be inserted into three-hole grounded receptacle.
- All wiring must comply with local electrical codes.
- Do not reconnect electrical current at main service panel until proper grounds are installed.

### OPERATING INSTRUCTIONS

1. Remove stopper from sink opening and run cold water.
2. Turn on wall switch to start disposer.
3. Slowly insert food waste into disposer. **CAUTION!** Position stopper to minimize possible ejection of material while grinding.
4. After grinding is complete, turn disposer off and run water for a few seconds to flush drain line.

#### **DO...**

- First turn on cold water and then turn on the disposer. Continue running cold water for several seconds after grinding is completed to flush the drain line.
- Grind hard materials such as small bones, fruit pits, and ice. A scouring action is created by the particles inside the grind chamber.
- Grind peelings from citrus fruits to freshen up drain smells.
- Use a disposer cleaner, degreaser, or deodorizer as necessary to relieve objectionable odors caused by grease build-up.

#### **⚠ CAUTION**

Regularly inspect disposer and plumbing fittings for water leaks, as water leaks can cause property damage. Manufacturer cannot be held responsible for property damage as a result of water leaks.

#### **DON'T...**

• **DON'T POUR GREASE OR FAT DOWN YOUR DISPOSER OR ANY DRAIN. IT CAN BUILD UP IN PIPES AND CAUSE DRAIN BLOCKAGES. PUT GREASE IN A JAR OR CAN AND DISPOSE IN THE TRASH.**

- Don't use hot water when grinding food waste. It is OK to drain hot water into the disposer between grinding periods.
- Don't fill disposer with a lot of vegetable peels all at once. Instead, turn the water and disposer on first and then feed the peels in gradually.
- Don't grind large amounts of egg shells or fibrous materials like corn husks, artichokes, etc., to avoid possible drain blockage.
- Don't turn off disposer until grinding is completed and only sound of motor and water is heard.

