

Villa Cherry Cabinet Construction

Full Overlay

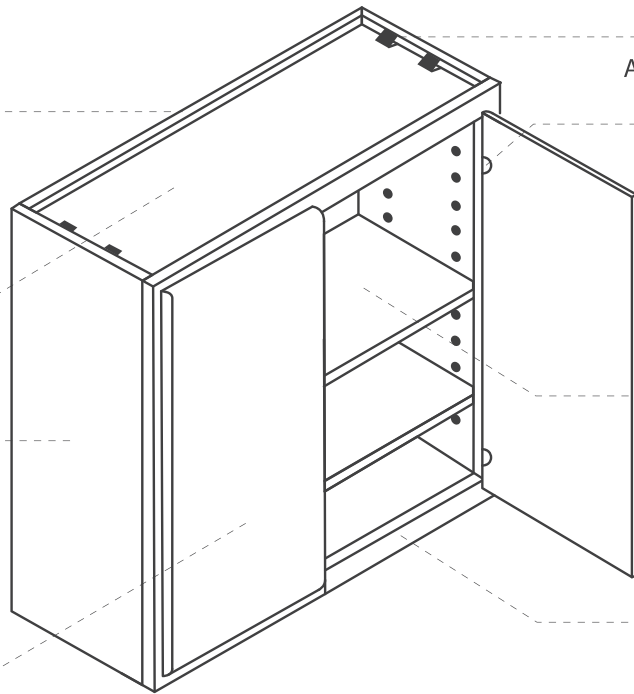
WALL CABINETS

$\frac{5}{8}$ " Plywood Nailers

$\frac{1}{2}$ " Top and Bottom Plywood

$\frac{1}{2}$ " End Panels Finished Plywood

$\frac{3}{4}$ " Wood Veneer Doors Flat Panel



Camlock

Adjustable Concealed Hinges
Optional: Soft Close Hinge

$\frac{3}{4}$ " Thick Plywood Shelves

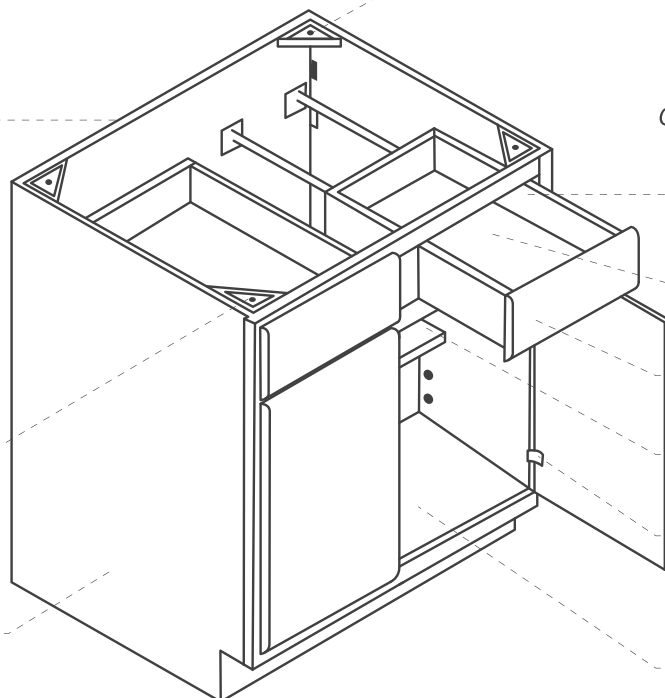
$\frac{3}{4}$ " Thick Solid Wood Frame

BASE CABINETS

$\frac{5}{8}$ " Plywood Back Rail

Polymer Corner Block

$\frac{1}{2}$ " Finished Plywood End Panels



Camlock

*Optional: $\frac{3}{4}$ " Dovetailed drawers;
Full extension undermount glides;
Soft-closing*

$\frac{5}{8}$ " Wood Drawer Box with Undermount Glides

$\frac{3}{4}$ " Wood Veneer Drawer Flat Panel

Half Depth; $\frac{3}{4}$ " Thick Plywood Shelves

Adjustable Concealed Hinges
Optional: Soft Close Hinge

$\frac{1}{2}$ " Bottom Plywood Interior Finished