

# Cherryville

Cabinet Construction



## Full Overlay

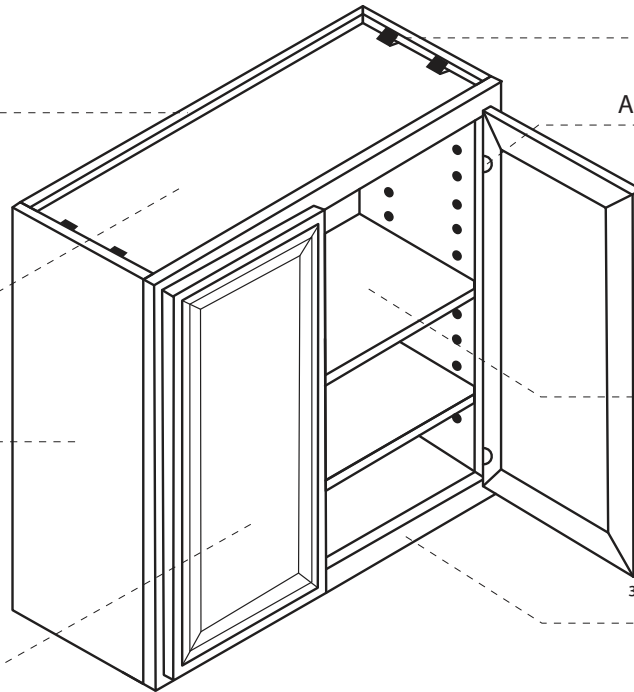
### WALL CABINETS

$\frac{5}{8}$ " Plywood Nailer

$\frac{1}{2}$ " Top and Bottom Plywood

$\frac{1}{2}$ " End Panels Finished Plywood

$\frac{3}{4}$ " Wood 5-Piece Frame Veneer Raised Panel



Camlock

Adjustable Concealed Hinges  
*Optional: Soft Close Hinge*

$\frac{3}{4}$ " Thick Plywood Shelves

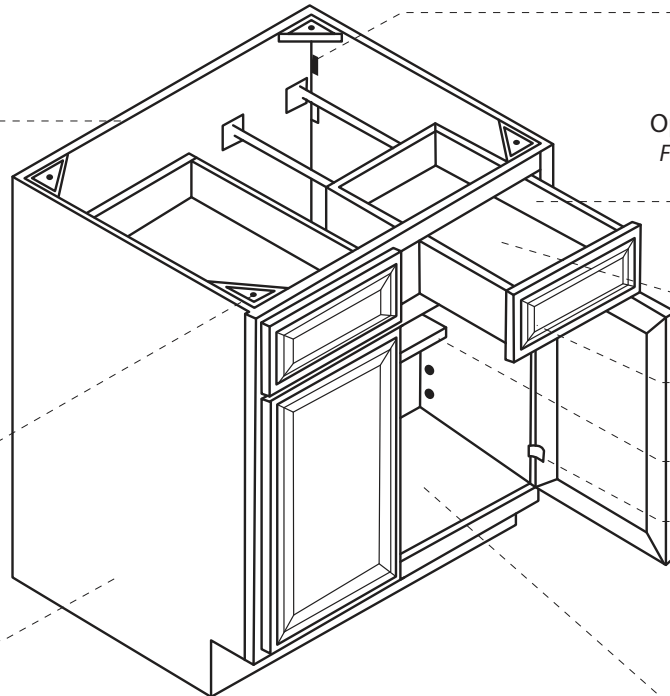
$\frac{3}{4}$ " Thick Solid Wood Frame

### BASE CABINETS

$\frac{5}{8}$ " Plywood Back Rail

Polymer Corner Block

$\frac{1}{2}$ " Finished Plywood End Panels



Camlock

*Optional:  $\frac{3}{4}$ " Dovetailed drawers; Full extension undermount glides; Soft-closing*

$\frac{5}{8}$ " Wood Drawer Box with Undermount Glides

$\frac{3}{4}$ " 5-Piece Drawer Front Raised Veneer Panel

Half Depth;  $\frac{3}{4}$ " Thick Plywood Shelves

Adjustable Concealed Hinges  
*Optional: Soft Close Hinge*

$\frac{1}{2}$ " Bottom Plywood Interior Finished